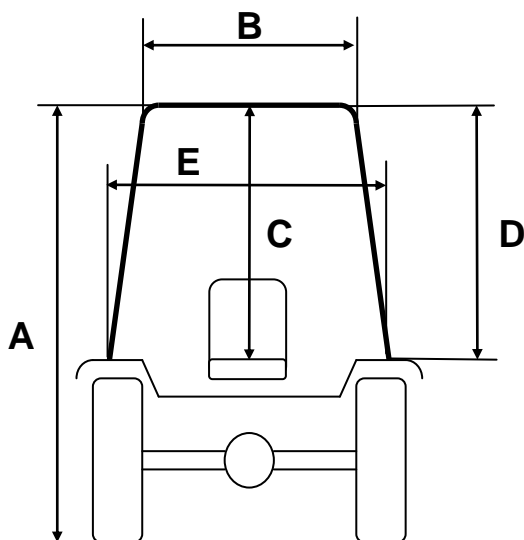


Antonio CARRARO

TIGRE 4800 F



| CABIN Antonio CARRARO TIGRE 4800 F BACK TYRES 300/70 R.20 | |
|--|---------|
| A | 2005 mm |
| B | 810 mm |
| C | 1000 mm |
| D | 990 mm |
| E | 950 mm |

